



FIRE HOSE REELS

141/B1/GB

F 200 SERIES FIXED FIRE HOSE REELS

Fixed fire hose reels are preferred when there is not enough space to install a fire hose cabinet. They are also used in places that are being renovated or restored because of their easy installation.

AREAS OF USAGE

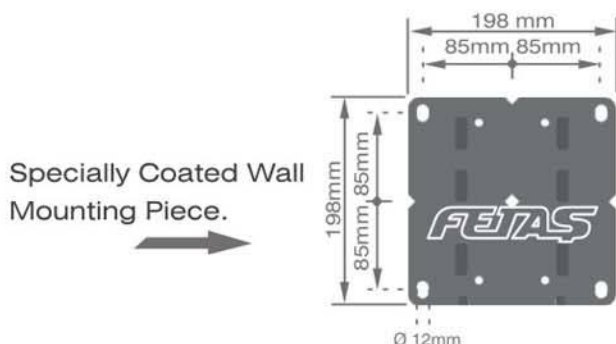
Suitable for indoor and outdoor installation (in places where freezing is not an issue). Factories and workshops, garages and gardens of houses, old buildings that are being renovated or restored, supermarkets etc.

INSIDE EQUIPMENTS

- ➔ Fixed fire hose reel of RAL 3002 fire red, electrostatic powder painted. Center-fed water supply with brass water ways.
- ➔ Specially coated wall mounting piece.
- ➔ 1" or 3/4" diameter with 15m, 20m, 25m or 30m hose capacity.
- ➔ Semi-rigid fire hose in EN 694 standards. Maximum working pressure: 12bar. Testing pressure: 24bar. Minimum bursting pressure: 42bar.
- ➔ UL and FM compliant, 1" jet-spray-off nozzle.
- ➔ 3/4" specially coated pipe.
- ➔ 1" ball valve water inlet.
- ➔ Completely TESTED before packaging.

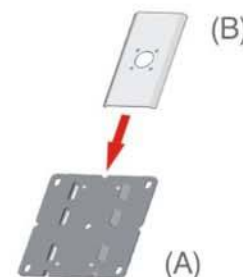


MODEL	HOSE CAPACITY		DIMENSIONS		
	1"	3/4"	DIA	A	B
F202 M	20m		Ø600	200	390
F203 M	25m		Ø600	200	390
F204 M	30m	30m	Ø600	200	390
F208 M	15m	20m	Ø470	200	390



**Practical design,
easy installation**

First, install (A) to the wall.
(B) is placed behind the reel.
To mount the reel to the wall,
you need to slide piece (B)
into (A) from above.



* Continuous research and development is taking place to improve our products and therefore we reserve the right to change any specification without prior notice.

F 300 SERIES

SHAFT TYPE, SWINGING FIRE HOSE REELS

Whenever it is needed to install a fire hose reel in existing shafts, we suggest our F300 series. It is easily installed with the shaft mounting piece. If needed, we do also manufacture shaft doors in dimensions you require.

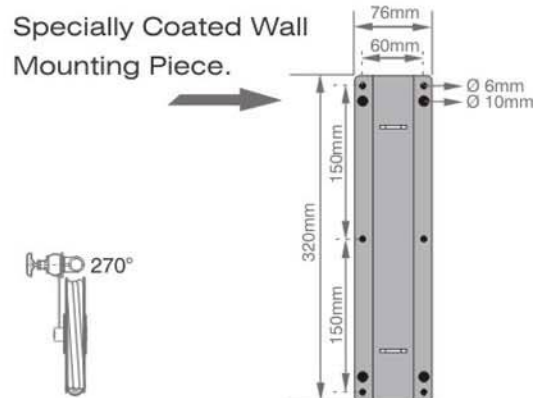
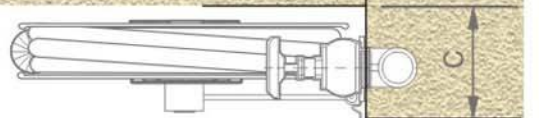
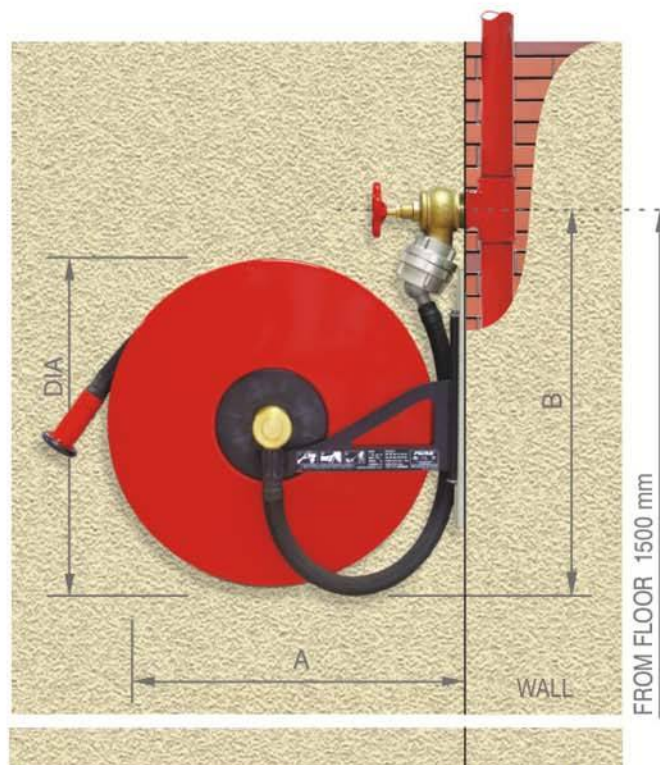
AREAS OF USAGE

Suitable for indoor and outdoor installation (in places where freezing is not an issue).
Shopping Centers, Business Centers, Hotels, Residential Buildings, Factories etc.

INSIDE EQUIPMENTS

- ➔Swinging fire hose reel of RAL 3002 fire red, electrostatic powder painted. Center-fed water supply with brass water ways.
- ➔1" or 3/4" diameter with 15m, 20m, 25m or 30m hose capacity.
- ➔Semi-rigid fire hose in EN 694 standards. Maximum working pressure: 12bar. Testing pressure: 24bar. Minimum bursting pressure: 42bar.
- ➔UL and FM compliant, 1" jet-spray-off nozzle.
- ➔2" brass fire valve with Storz coupling.
- ➔2" to 1" Storz adaptor.
- ➔1" semi-rigid interconnecting hose.
- ➔270° swinging special reel arm.
- ➔Specially coated wall mounting piece.
- ➔Completely TESTED before packaging.

MODEL	HOSE CAPACITY		DIMENSIONS			
	1"	3/4"	DIA	A	B	C
F302 M	20m		Ø600	680	600	200
F303 M	25m		Ø600	680	600	200
F304 M	30m	30m	Ø600	680	600	200
F308 M	15m	20m	Ø470	530	565	200



Movement of the 270° swinging reel.



* Continuous research and development is taking place to improve our products and therefore we reserve the right to change any specification without prior notice.

F 400 SERIES SELF STANDING FIRE HOSE REELS

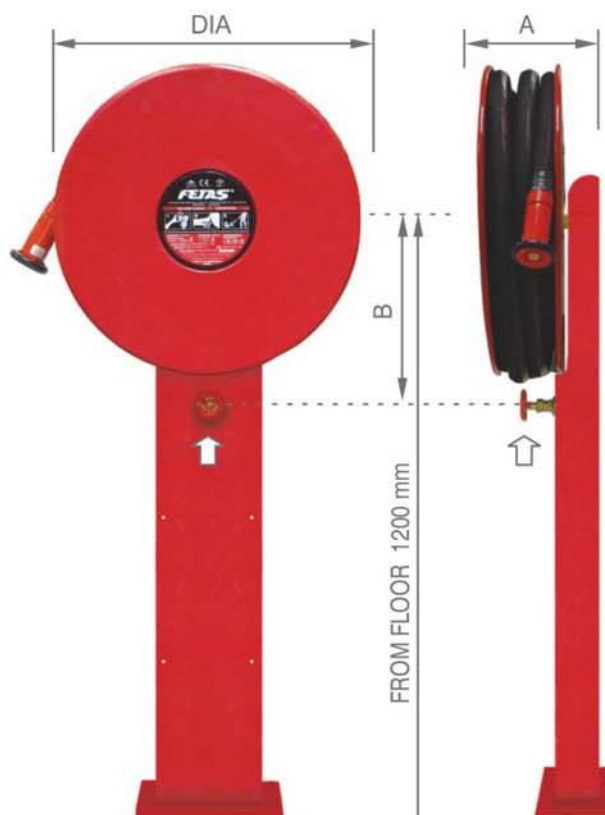
Used in areas where fire hose reels are needed and no walls are present.
Preferred choice for easy installation and montage.

AREAS OF USAGE

Suitable for indoor and outdoor installation (in places where freezing is not an issue).
Factories and workshops, garages and gardens of houses, old buildings that are being renovated or restored, picnic spots, open areas, etc.

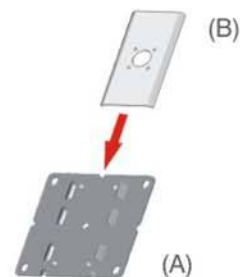
INSIDE EQUIPMENTS

- Fixed fire hose reel of RAL 3002 fire red, electrostatic powder painted. Center-fed water supply with brass water ways.
- 1" or 3/4" diameter with 15m, 20m, 25m or 30m hose capacity.
- Semi-rigid fire hose in EN 694 standards. Maximum working pressure: 12bar. Testing pressure: 24bar. Minimum bursting pressure: 42bar.
- UL and FM compliant, 1" jet-spray-off nozzle.
- 3/4" specially coated pipe.
- 1" globe valve water inlet.
- 1200mm long stand made of profiles.
- Complete with reel mounting piece.
- Hidden installation. Piped from ground to the globe valve inside the stand.
- Special cover to protect from UV light and weather conditions.
- Completely TESTED before packaging.



Practical design, easy installation

You receive the (A) part as mounted on profile stand. The (B) part is placed behind the reel. To mount the reel to the stand, you need to slide (B) part into (A) part from above.



MODEL	HOSE CAPACITY		DIMENSIONS		
	1"	3/4"	DIA	A	B
F402 M	20m		Ø600	220	370
F403 M	25m		Ø600	220	370
F404 M	30m	30m	Ø600	220	370
F408 M	15m	20m	Ø470	220	370

* Continuous research and development is taking place to improve our products and therefore we reserve the right to change any specification without prior notice.

F 500 SERIES FIRE HOSE TROLLEYS

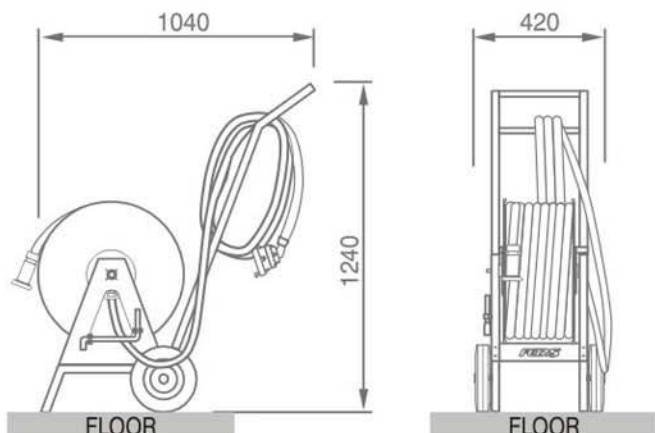
Fire hose trolley for usage in wide indoor and outdoor areas. Also used in buildings where the piping system is outdated and fire hose cabinets cannot be installed.

USAGE AREAS

Suitable for indoor and outdoor usage. Used by connecting to hydrants or fire valves. In the workshops of factories, garages and gardens of houses, gardens of hotels, old buildings that are being renovated or restored, picnic spots, marinas and harbors, parks etc.

INSIDE EQUIPMENTS

- ➔ Fire hose reel of RAL 3002 fire red, electrostatic powder painted. Center-fed water supply with brass water ways.
- ➔ Handle included for re-winding after use.
- ➔ Arm for reeling up the hose after use included.
- ➔ 1", 5m long, semi-rigid interconnecting hose. Complete with 2" to 1" Storz adaptor for connecting to hydrants or fire valves.
- ➔ 1" or 3/4" diameter with 40m or 60m hose capacity.
- ➔ Semi-rigid fire hose in EN 694 standards. Maximum working pressure: 12bar. Testing pressure: 24bar. Minimum bursting pressure: 42bar.
- ➔ UL and FM compliant, 1" jet-spray-off nozzle.
- ➔ Sheet steel manufactured chassis.
- ➔ 250mm diameter, hard rubber tires.
- ➔ All montage parts like nuts, bolts; are special coated and suitable for outdoor usage.
- ➔ Special cover to protect from UV light and weather conditions.
- ➔ Completely TESTED before packaging.



MODEL	HOSE CAPACITY		DIMENSIONS			
	1"	3/4"	DIA	W	L	D
F550M	40m	60m	Ø550	420	1240	1040

* Continuous research and development is taking place to improve our products and therefore we reserve the right to change any specification without prior notice.